

BeSAFE RX SINGLE-CHANNEL RECEIVER

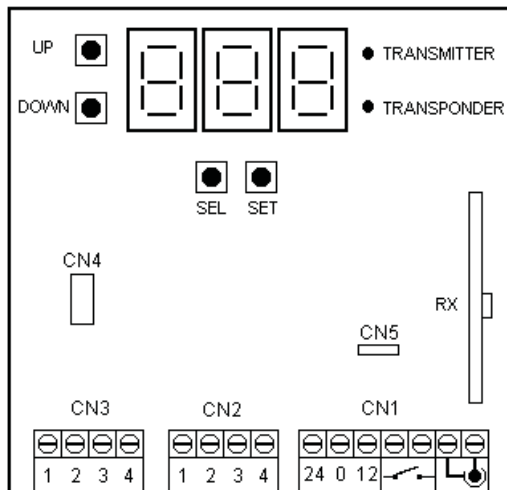
The BeSAFE RX radio receiver is designed for the remote operation of electrical and electronic equipment in conjunction with one or more radio-controls and/or transponders (BeSAFE Card, BeSAFE Key).

- Mod. (BeSAFE RX 30,875):	30,875 MHz
- Mod. (BeSAFE RX 306):	306 MHz
- Mod. (BeSAFE RX 310):	310 MHz
- Mod. (BeSAFE RX 418):	418 MHz
- Mod. BeSAFE RX 433 :	433,92 MHz
- Mod. BeSAFE RX 868 :	868,3 MHz

() This product is destined for countries in which use is consented.

TECHNICAL DATA

- Power supply:	12-24VAC-DC
- Max consumption:	4.5 W
- Op. radio-controls:	12-18 Bit or Rolling Code
- Op. transponders:	Card or Key-ring
- Stored codes:	500 Max
- 1 (one) command relay:	30VDC 1A
- Working temperature:	-10°C + 55°C
- Dimensions:	110x121x47 mm
- Container:	ABS (UL94V-0)
- Protection degree:	IP54
- Radio-control range in open spaces:	30-70 metres



CONNECTION OF TERMINAL BOARDS

- CN1:**
- 1 : 24 VAC/DC power supply input.
 - 2 : 0 V power supply input.
 - 3 : 12 VAC/DC power supply input.
 - 4 : Clean command contact output.
 - 5 : Clean command contact output.
 - 6 : Earth input.
 - 7 : Antenna hot pole input.
- CN2:** Connection for Transponder 1 Reader (BeSAFE Reader).
- CN3:** Connection for Transponder 2 Reader (BeSAFE Reader).
- CN4:** Connection for PC "SW 2189" interface.
- CN5:** Normally open or closed command contact selection.

RECEIVER INSTALLATION

For the optimal operation between transmitter and receiver, we recommend you choose the point of installation carefully. The range is not merely linked to the technical features of the device itself, but it actually varies according to the radioelectric conditions of the area.

The receiver is fitted with an antenna consisting of a rigid wire section. Should you wish to increase the device sensitivity, you can connect a tuned antenna using a RG58 50 OHM coaxial cable. The antenna should be placed on the exterior in a visible position away from any metallic structures.

The installation of two receivers placed less than 5 metres from one another is not possible.

OPERATION WITH RADIO-CONTROLS AND/OR TRANSPONDERS

The receiver can be combined with radio-controls and/or

transponders and is designed to store up to 500 different users. We therefore recommend you make a note of the "memory position - user name" correspondence in the form provided. For use with radio-controls, the receiver is fitted with an incorporated receiver. **For use with "BeSAFE CARD and BeSAFE KEY" transponders, the connection of one or two "BeSAFE Reader" proximity readers supplied as options will be necessary.**

PROGRAMMING RADIO-CONTROLS AND/OR TRANSPONDERS

The programming of radio-controls and/or transponders is self-learning, as follows.

Use the UP or DOWN keys to go to the desired memory position (viewed on the display from 001 to 500), paying attention to the TRANSMITTER and TRANSPONDER LEDS, as one of them turning on means the location is busy. Press the SEL key, the TRANSMITTER and TRANSPONDER LEDS will begin to flash, and meanwhile send the code with the radio-control or bring the transponder closer to the "BeSAFE Reader" proximity reader, (the display will indicate STO stored), the TRANSMITTER or TRANSPONDER LED will go from off to on and programming is thus complete.

To delete a radio-control or transponder stored previously, use the UP or DOWN keys to go to the memory location that is busy, press the SEL key, the TRANSMITTER or TRANSPONDER LED will begin to flash; press the SET key (the display will indicate "DEL" deleted), the LED will go from on to off and delete is thus complete.

During normal operation, the display panel indicates the memory location of the device stored previously currently in use.

RAPID PROGRAMMING OF RADIO-CONTROLS AND/OR TRANSPONDERS

The rapid programming of radio-controls and/or transponders is only allowed when all the receiver memory is free. To make sure that all the memory is free, follow the **Reset** procedure.

Rapid programming means you do not have to select a new memory location for another radio-control and/or transponder every time, but starting from position 001, the control unit automatically increases the memory location and remains on standby for 10 seconds, from the input of a new radio-control and/or transponder to store.

PASSWORD

Once you have finished programming the radio-controls and/or transponders, you can store a password in the **PAS** position, to disable and enable receiver programming, as follows.

Use the UP or DOWN keys to go to the **PAS** memory position, press the SEL key, the TRANSMITTER and TRANSPONDER LEDS will begin to flash, and meanwhile use the UP or DOWN key to select a number between 001 and 500, press the SET key, (the display will indicate "CLO" closed), and the TRANSMITTER and TRANSPONDER LEDS will go from off to on.

To re-enable programming, use the UP or DOWN keys to go to the **PAS** memory position, press the SEL key, the TRANSMITTER and TRANSPONDER LEDS will begin to flash, meanwhile use the UP or DOWN keys to select the key number selected previously, press the SET key, (the display will indicate **OPE** open).

To delete a password (operation only allowed if the system is open **OPE**), use the UP or DOWN keys to go to the **PAS** memory position, press the SEL key, the TRANSMITTER and TRANSPONDER LEDS will begin to flash and meanwhile press the SET key (the display will indicate **DEL** deleted), the TRANSMITTER and TRANSPONDER LEDS will go from on to off.

N.B.: if you enter an incorrect password, you will have to wait 5 minutes to repeat the operation, and if you enter another incorrect password, you will have to wait 1 hour.

RESET

If it is appropriate for the factory configuration to be restored (operation only allowed if the system is open **OPE**), press the SEL and SET keys simultaneously, and the LEDS will turn off, and the display will indicate the **PAS** position.

N.B.: the display is turned off after one minute of inactivity to save energy.

FURTHER FUNCTIONS VIA PC CONNECTION

The receiver can be connected to a Personal Computer through the use of a "SW 2189" package supplied as an optional, thanks to which you may access further functions.

FOR THE INSTALLER - IMPORTANT

- *All operations requiring the opening of the casing (such as installation, programming and repair, etc.) must be carried out by skilled staff only.*
- *The fixing of power supply leads and connection cables must be secured through the use of cable clamps.*

The product below:

BeSAFE RX Single-channel Receiver complies with the requirements of Directive R&TTE 99/5/EC.

